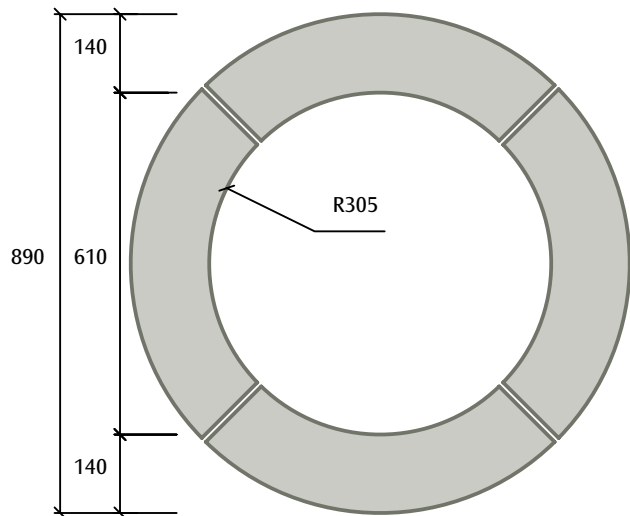
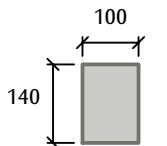


TecCast ARCHITECTURAL COMPONENTS

TecLite TecCast TecLite TecStone Pennine Stone TecCast TecLite TecStone Pennine Stone

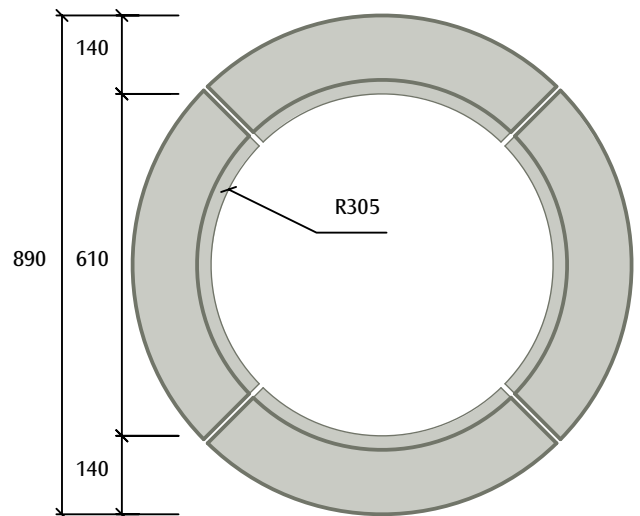


Elevation

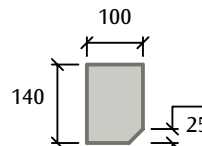


Section

Plain Bullseye
MA18
Weight: 70.9kg

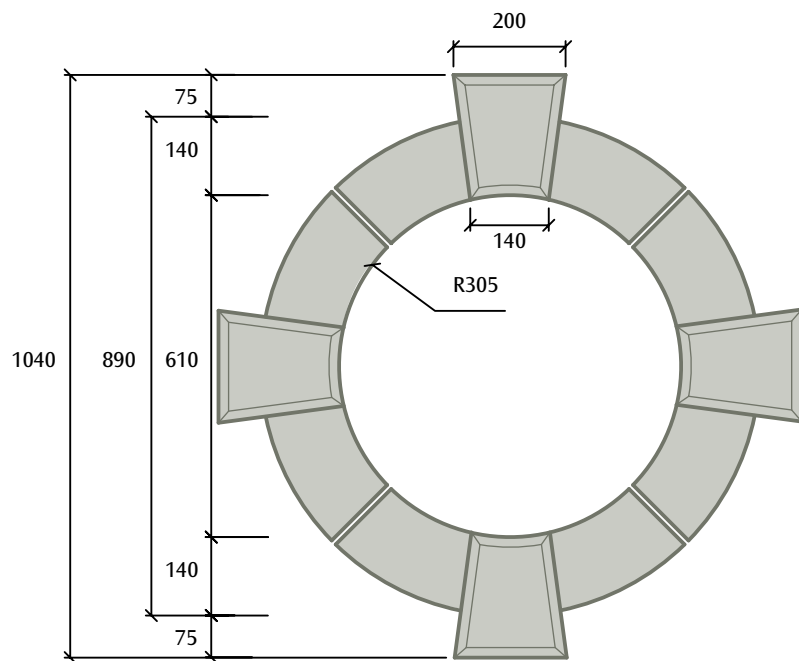


Elevation

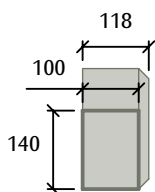


Section

Chamfered Bullseye
MA19
Weight: 69.4kg

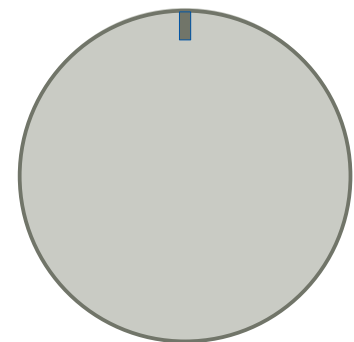


Elevation

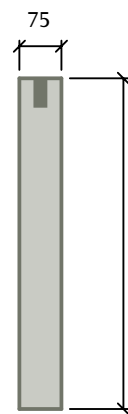


Section

Keystone Bullseye
MA20
Weight: 89.7kg



Elevation



Section

Plain Roundel
MA21
Weight: 44.1kg

■ Shows position of lifting inserts if required