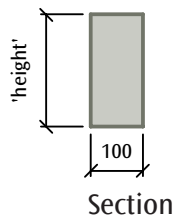
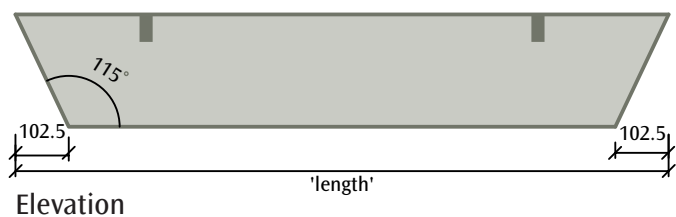
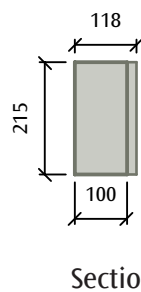
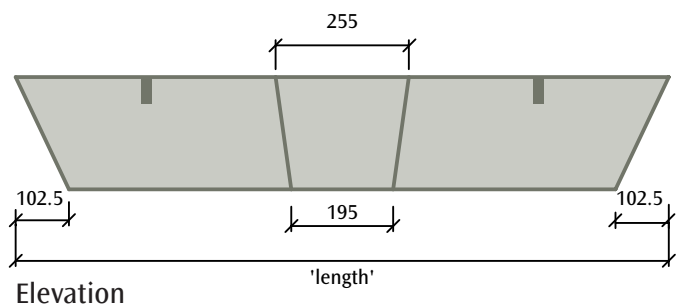


TecCast SPLAYED HEADS



Plain (215mm)
HD09

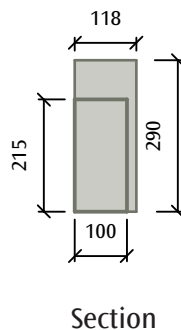
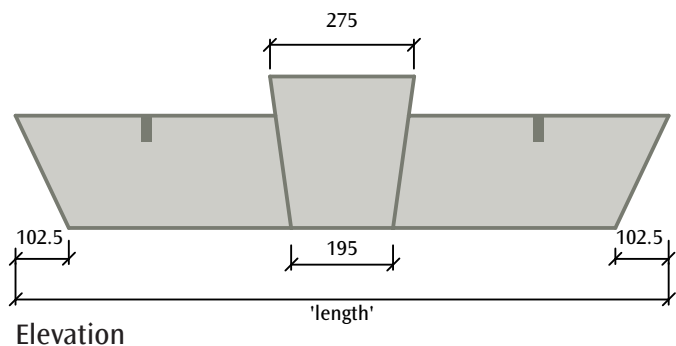
Weight: 46.2kg/m^{**}
Also 140mm high: HD08
(30.1kg/m^{**})
Also 290mm high: HD10
(62.4kg/m^{**})



Flush Plain Keystone

HD11

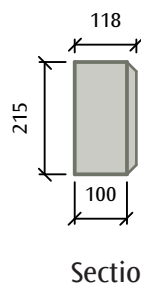
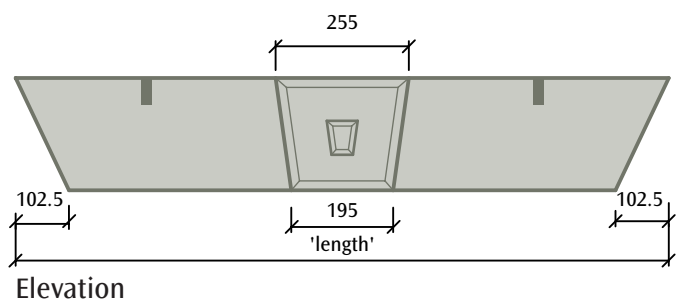
Weight: 46.2kg/m^{**}



Extended Plain Keystone

HD12

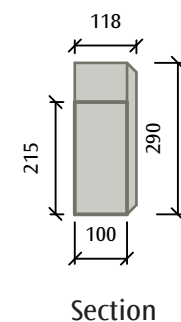
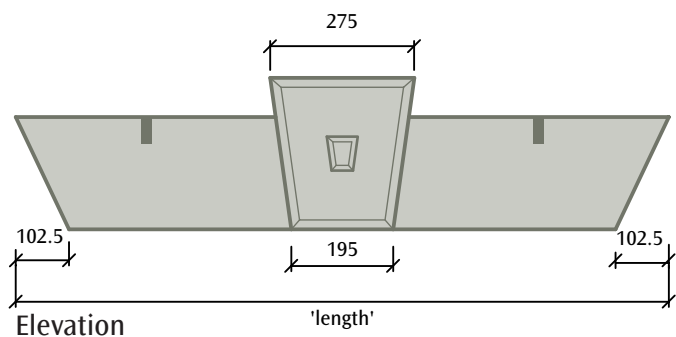
Weight: 46.2kg/m^{**} + 6.9kg



Flush Profile Keystone

HD13

Weight: 46.2kg/m^{**}



Extended Profiled Keystone

HD14

Weight: 46.2kg/m^{**} + 6.9kg

■ shows position of lifting inserts if required

****** When calculating splayed head weights use the 'length' - 102.5mm x 46.2kg. Where extended keystones are used add 6.9kg



"Tested by BBA, so you don't have to"