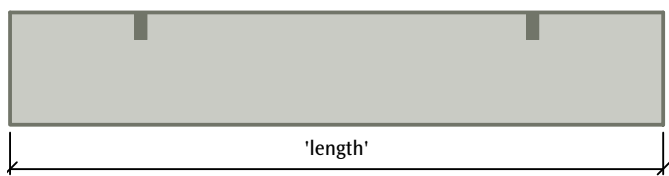
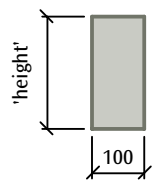


# TecCast TRADITIONAL HEADS



Elevation



Section

Plain (215mm)

## HD02

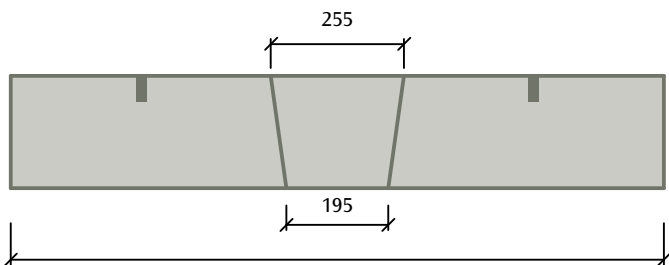
Weight: 46.2kg/m

Also 140mm high: HD01

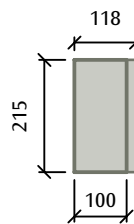
(30.1kg/m)

Also 290mm high: HD03

(62.4kg/m)



Elevation

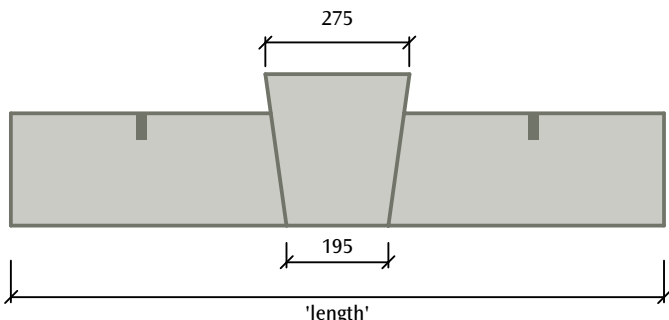


Section

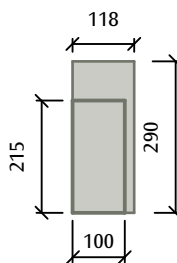
Flush Plain Keystone

## HD04

Weight: 46.2kg/m



Elevation

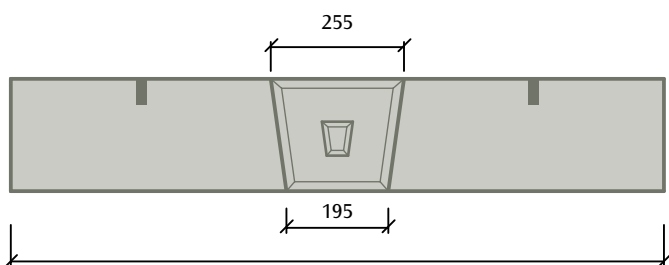


Section

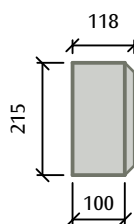
Extended Plain Keystone

## HD05

Weight: 46.2kg/m + 6.9kg



Elevation

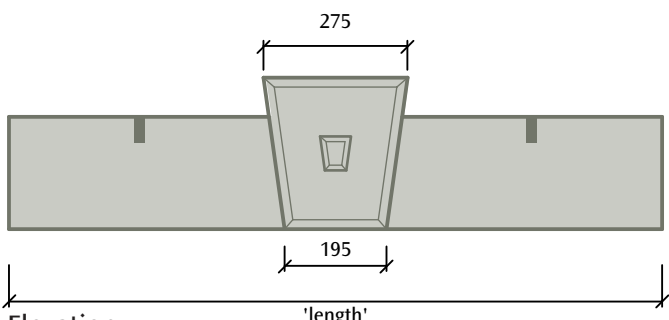


Section

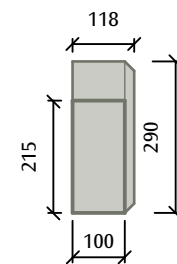
Flush Profile Keystone

## HD06

Weight: 46.2kg/m



Elevation



Section

Extended Profiled Keystone

## HD07

Weight: 46.2kg/m + 6.9kg

■ shows position of lifting inserts if required

